

PREFILTER
SERIES

PRE-FILTER SERIES

ROLL 'O' MAT

JS MAT

DEAMAT

DEAMAT G50/G60/G85/G90

DEAMAT GPM

DEAMAT GDM

DEAKLEEN

DEAKLEEN ANTI MICROBIAL

Pre-filter Series

Summary

The main function of pre-filters is to capture big-sized particle dust. The next role is to extend the more expensive filter life span. By installing pre-filters, we can greatly expand the usage lifespan of filters downstream as most of the big-sized particles can be filtered. From this, we reduce the frequency of expensive filter replacement, thus reducing the total operating cost. There are several types of pre-filter each with their specialties such as anti-microbial type, water proof type, etc. that would suit to most applications.

Product Category

Efficiency	Construction	Features	Product Name	Product Introduction	Page
Pre	Roll		Roll 'O' Mat	<ul style="list-style-type: none"> • Glass fibre roll filter with progressive density • Both material and adhesive are inflammable • Long life, high dust holding capacity 	4
			JS Mat	<ul style="list-style-type: none"> • Synthetic fiber with progressive density • Media with excellent water, heat, flame, & chemical resistance characteristics 	5
	Pad		DeaMat	<ul style="list-style-type: none"> • Standard synthetic fibre pre-filter in pad style • Customize size is possible 	6
			DeaMat G50 G60 G85 G90	<ul style="list-style-type: none"> • Glass fibre pad with progressive density • Available in 4 type of efficiency • Customize size is possible 	6
		Paint Mist Removal	DeaMat GPM	<ul style="list-style-type: none"> • Glass fiber filter use for paint mist • Overall 50mm thick paint mist, big capacity of trapping • No rescattering of paint mist, best for working environment 	7
		Water Repellent	DeaMat GDM	<ul style="list-style-type: none"> • Improved glass fibre • Best for mist removal for on-shore platform, coastal area of air intake 	8
	Pleated		DeaKleen	<ul style="list-style-type: none"> • High performance media • Ease of Installation 	9
		Anti-microbial	DeaKleen Anti-microbial	<ul style="list-style-type: none"> • Pre-filter with high performance media, treated with anti-microbial effect • Restrain breeding of trapped bacteria 	10

Please ensure air flow is perpendicular to air filter surface in order to have uniform air through filter.

Roll 'O' Mat Glass Fiber Pre-filter



Roll 'O' Mat

- Fibre glass roll filter with progressive density
- Both material and adhesive are inflammable
- Long life, high dust holding capacity

• Specification

Type	Media Dimension			Average Arrestance Efficiency (%)	Pressure Loss (Pa)		Air Velocity (m/s)	Dust Holding Capacity (g/m ²)
	Length (m)	Thickness (mm)	Width average (mm)		Initial	Final		
ROM-3	19.8	50 Filtration surface	914	85	44	118	2.5	1,050
ROM-4			1219					
ROM-5			1524					
ROM-6			1828					

Measuring method : JIS B 9908 Format 3 (mass method)

Inflammability : JACA No.11A Class 3

* Other sizes available upon request

• Material And Operating Condition

Media	Material	Glass fibre
	Enhanced	Glass fibre
	Adhesive	Non-combustable oil
	Preserve Method	Dispose after usage
Max Temperature (Continuous)		80°C
Temperature Usage Range		Continuously use time : -23~+80

Fiber diameter; Upstream : 40-50µm Down stream : average 25µm

• Inflammable Test Result

Test Item	Test Results	Test Method
After Flame Time (sec)	0	JACA No.11A method
Residual Dust Time (sec)	0	
Existence of Cotton Fire	Nil	
Combustion Distance (mm)	2.4	
Groups	Class 3	



Roll Type Synthetic Fiber Pre-filter

JS Mat

- Synthetic fibre roll filter with progressive density
- Media with excellent heat resistance, water resistance, inflammable using synthetic fibre

• Specification

Type		Media Dimension				Average Arrestance Efficiency (%)	Pressure Loss (Pa)		Air Velocity (m/s)
		Length (m)	Thickness (mm)	Roll Diameter (mm)	Width average (mm)		Initial	Final	
W-EC	Washable	20	6-8	400-420	2000	75-80 (G2)	45	200	2.5
W-SD	Washable		18-20	660-690		80-85 (G3)	58	200	
W-SU	Washable		20-22	660-690		87-92 (G4)	79	200	
C-SD	Disposable		20-22	760		96 (M5)	125	250	
C-SU	Disposable		22	800		98 (M5)	150	250	

Measuring method : JIS B 9908 Format 3 (mass method) ASHRAE 52.1 & 52.2

Inflammability : JACA No.11A Class 3

• Material And Operating Condition

Media	Material	Synthetic fibre
	Preserve Method	Throw after use (recommended)
Max Temperature (Continuous)		50°C
Temperature Usage Range		Continuously use time : -20~+100

Please consult for cleaning

Cannot be used as electrical dust collector after filter

Synthetic Pre-filter

DeaMat



DeaMat

- Standard synthetic pre-filter in the forms of pad
- Customize size is possible

• Specification

Type	Outer Dimension W×H×D (in)	Outer Dimension W×H×D (mm)	Air Velocity (m/s)	Average Arrestance Efficiency (%)	Pressure Loss (Pa)	
					Initial	Final
EC	24x24x1	594x594x21	2.5	75-80(G2)	45	200
	24x24x2	594x594x47				
	24x24x4	594x594x98				
SD	24x24x1	594x594x21		80-85(G3)	58	
	24x24x2	594x594x47				
	24x24x4	594x594x98				
SU	24x24x1	594x594x21		87-92(G4)	79	
	24x24x2	594x594x47				
	24x24x4	594x594x98				

Measuring method : JIS B 9908 Format 3 (mass method) Inflammability : JACA No.11A Class 3
Please discuss for measurement other than standard. Frame is optional

• Material And Operating Condition

Media	Synthetic fibre
Usage Temperature Limit (Continuous)	50°C
Washable	Yes



Glass Fibre Pre-filter

DeaMat

DeaMat G50 G60 G85 G90

- Progressive density holding glass fibre pad
- Categorized by 4 type of arrestance efficiency
- Customize size is possible

• Specification

Type	Outer Dimension W×H×D (in)	Outer Dimension W×H×D (mm)	Air Velocity (m/s)	Average Arrestance	Pressure Loss (Pa)		Dust Holding Capacity (g/m ²)
					Initial	Final	
G50	24x24x1	610x610x25	2.5	50	35	134	510
G60	24x24x2	610x610x50		60	47	134	600
G85	24x24x2	610x610x50		85	44	147	1050
G90	24x24x4	610x610x100		90	78±20%	373	2800 (Test: AC-Fine)

Measuring method : JIS B 9908 Format 3 (mass method) Inflammability : JACA No.11A Class 3
Please discuss for measurement other than standard.

• Material And Operating Condition

Media	Glass Fibre
Usage Temperature Limit (Continuous)	80°C

Coloured surface is downstream side.

Specification, appearance and content are subject to change without prior notice.



Glass Fibre Pre-filter For Paint Mist Usage

DeaMat

DeaMat GPM

- Glass fibre filter with progressive density for paint mist
- High capacity for overall size of 50mm thickness for paint mist
- Improved paint mist operation environment

• Specification

Outer Dimension W×H×D (in)	Outer Dimension W×H×D (mm)	Air Velocity (m/s)	Average Arrestance	Pressure Loss (Pa)	
				Initial	Final
24x24x2	610x610x50	2.5	90-95	23	134

Measuring method : Mass Method ASHRAE 52.1 & 52.2 EN 779 Inflammability : JACA No.11A Class 3
Please discuss for measurement other than standard

• Material And Operating Condition

Media	Glass Fibre
Usage Temperature Limit (Continuous)	80°C

Coloured surface is downstream side.



Water Repellant Glass Fibre Pre-filter

DeaMat

DeaMat GDM

- Glass fibre filter for mist removal
- Best for air intake with mist at on-shore platform and coastal area

• Specification

Outer Dimension W×H×D (in)	Outer Dimension W×H×D (mm)	Air Velocity (m/s)	Initial Pressure Loss (Pa)
24x24x3	610x610x75	2.5	57±20%

Please discuss for measurement other than standard
* Process speed is speed that pass-through the effective area of the filter

• Material And Operating Condition

Media	Glass Fibre
Usage Temperature Limit (Continuous)	80°C

Coloured surface is downstream side.

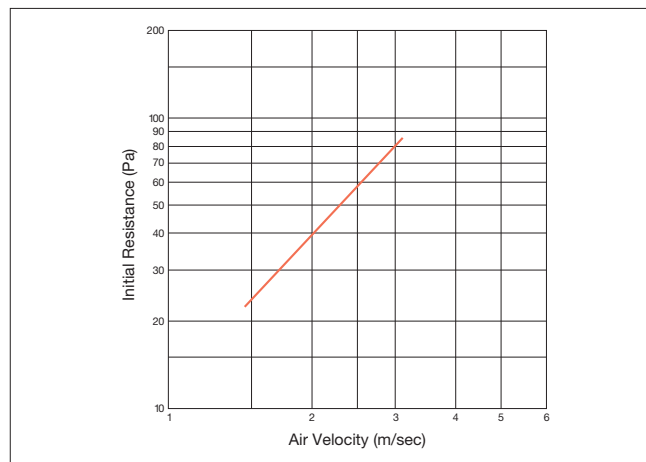
• Usage Example

A Air velocity is 2.5m/sec if it contains mild water particles.
* For 50mm frame thickness, use 1 sheet of pad.

B Air velocity less than 3.0m/sec process, if it contains a substantial amount of water.
* For 100mm thick frame, 2 sheet of pad (2 sheet) used.

C If process air velocity is below than 4m/sec
* For 100mm thick frame, 2 sheet used. If set directly after weasel bar, will get best effect.

• Processing Air Velocity VS. Initial Resistance



Specification, appearance and content are subject to change without prior notice.



Standard Synthetic Fibre Pre-filter

DeaKleen

- Long-life pre-filter due to media performance enhancement
- Easy installation due to pleated construction, folded into the frame

• Specification

Type	Outer Dimension WxHxD (in)	Outer Dimension WxHxD (mm)	Air Flow (m ³ /min)	Pleats per ft.	Average Arrestance Efficiency (%)	Initial Resistance (Pa)	Final Resistance (Pa)
DeaKleen SU	12x24x1	290x594x22	28	14.5	87-92 (G4)	113	249
	20x24x1	493x594x22	47				
	24x24x1	594x594x22	56				
	12x24x2	290x594x44	28	14.5			
	20x24x2	493x594x44	47				
	24x24x2	594x594x44	56				
	12x24x4	290x594x95	28	11.0			
20x24x4	493x594x95	47					
24x24x4	594x594x95	56					
DeaKleen SD	12x24x2	290x594x44	28	11.5		63	
	20x24x2	493x594x44	47				
	24x24x2	594x594x44	56				
	12x24x4	290x594x95	28	9.0		55	
	20x24x4	493x594x95	47				
24x24x4	594x594x95	56					
DeaKleen EC	12x24x2	290x594x44	28	8.0	68		
	20x24x2	493x594x44	47				
	24x24x2	594x594x44	56				
	12x24x4	290x594x95	28	8.0	55		
	20x24x4	493x594x95	47				
	24x24x4	594x594x95	56				

Measuring method : JIS B 9908 Format 3 (mass method) ASHRAE 52.1 & 52.2

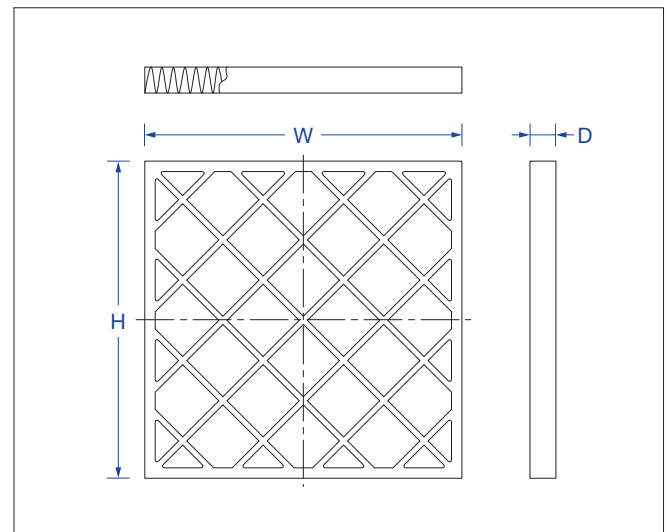
Inflammability : JACA No.11A Class 3

Please discuss for measurement other than standard

• Material And Operating Condition

Cellside	Beverage Board
Media	Special Synthetic Fibre
Limit Temperature (Continuous)	93°C

• Outer Dimension Diagram





Anti-Microbial Type Synthetic Fiber Pre-filter

DeaKleen

DeaKleen Anti-Microbial

- Media performance is enhanced by anti-microbial effect
- Restrain breeding of trapped bacteria
- Use intercept antimicrobial

• Specification

Type	Outer Dimension WxHxD (in)	Outer Dimension WxHxD (mm)	Air Flow (m ³ /min)	Pleats per ft.	Average Arrestance Efficiency (%)	Initial Resistance (Pa)	Final Resistance (Pa)			
DeaKleen SU	12x24x1	290x594x22	28	14.5	87-92 (G4)	113	249			
	20x24x1	493x594x22	47							
	24x24x1	594x594x22	56							
	DeaKleen SD	12x24x2	290x594x44	28		14.5		87-92 (G4)	75	249
		20x24x2	493x594x44	47						
		24x24x2	594x594x44	56						
	DeaKleen EC	12x24x4	290x594x95	28		11.0		87-92 (G4)	63	249
20x24x4		493x594x95	47							
24x24x4		594x594x95	56							
DeaKleen SD		12x24x2	290x594x44	28	11.5	87-92 (G4)	63		249	
		20x24x2	493x594x44	47						
		24x24x2	594x594x44	56						
DeaKleen EC	12x24x4	290x594x95	28	9.0	87-92 (G4)	55	249			
	20x24x4	493x594x95	47							
	24x24x4	594x594x95	56							
DeaKleen EC	12x24x2	290x594x44	28	8.0	87-92 (G4)	68	249			
	20x24x2	493x594x44	47							
	24x24x2	594x594x44	56							
DeaKleen EC	12x24x4	290x594x95	28	8.0	87-92 (G4)	55	249			
	20x24x4	493x594x95	47							
	24x24x4	594x594x95	56							

Measuring method : JIS B 9908 Format 3 (mass method)
 Inflammability : JACA No.11A Class 3
 Please discuss for measurement other than standard

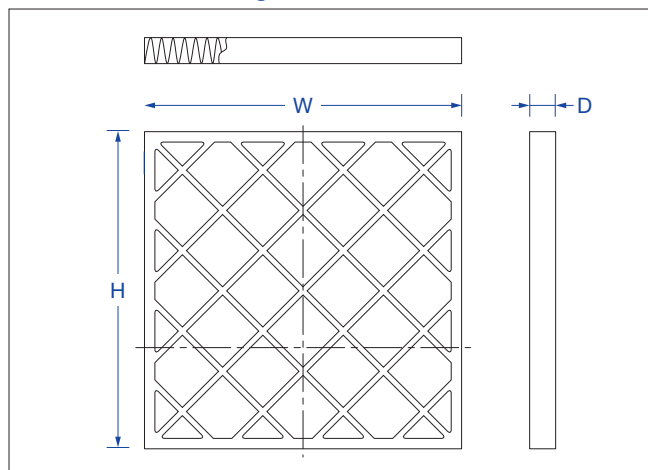
• Anti-microbial (intercept) Feature

- 1. Safe antimicrobial (intercept) for human & environment**
The harmless intercept is safe to human and environment.
- 2. Wide range of trapping performance**
The efficiency performance, air flow, pressure drop of filter impregnated with antimicrobial (intercept) is no different from standard filter.
- 3. Exceptional anti microbial effect**
Strengthen to deal with gram-negative bacteria. Anti microbial effect is permanent & continuous.

• Material And Operating Condition

Cellside	Beverage Board
Media	Special Synthetic Fibre
Limit Temperature (Continuous)	93°C

• Outer Dimension Diagram



Specification, appearance and content are subject to change without prior notice.

